

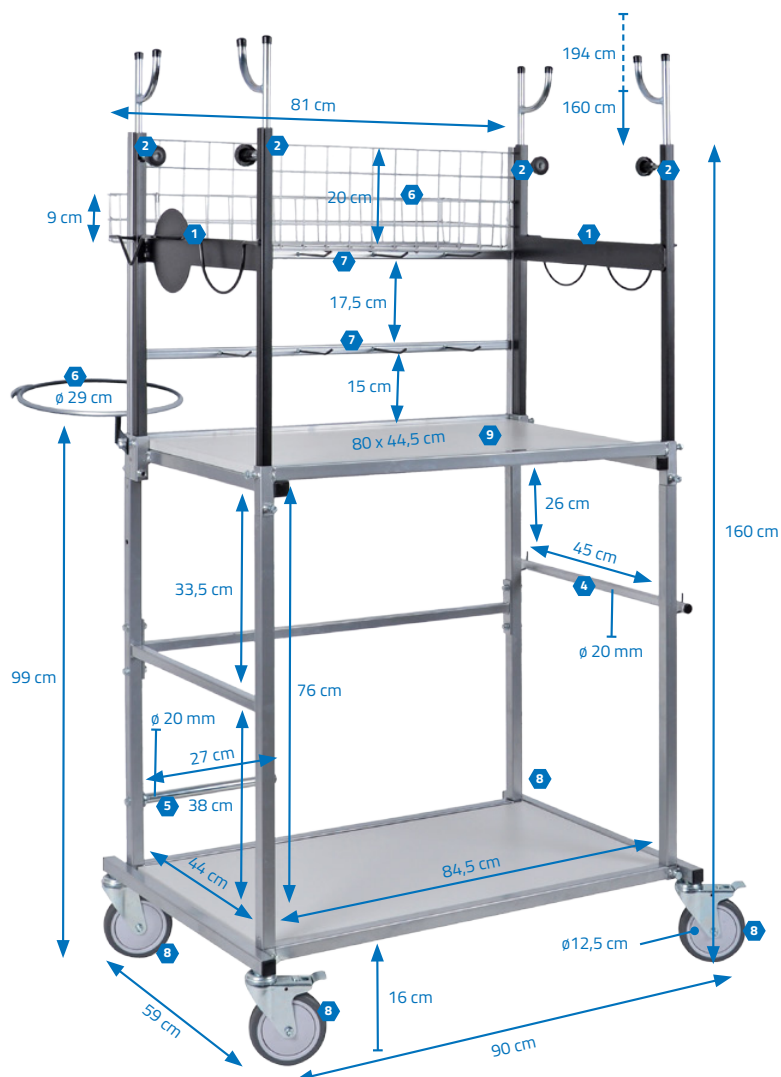
## • NTools WUS Universal grinding cart

The **NTools WUS** is a practical and light universal cart intended for polishing equipment and materials. The cart was designed in order to provide the user with comfort of work and quick access to the most frequently used tools all in one place. The NTools WUS features a stable structure, and its large, rubber wheels allow the operator to quickly move the cart along the workshop floor or the preparation area.

- 1 The cart features space for three sanders and one polisher
- 2 Adjustable arm height (160 - 194cm) enables mounting of electrical cords or suction device hoses, thereby facilitating their use.
- 3 Metal ring with a 29cm internal diameter intended for mounting a foil waste bag. The ring additionally features a handle operated clasp which enables stable bag fastening.
- 4 Hanger for cleaning cloths and paper towels enabling simple cleaning product dosing and roll replacement.
- 5 Bar for securing the NTools VC50E and NTools VC50E dust suction device against shifting on the lower shelf.
- 6 Ring intended for hanging a waste bag.
- 7 Set of 8 hooks for hanging, e.g. sanding disks.
- 8 Large, tilting rubber wheels with a 125mm diameter (2 with brakes and 2 without)
- 9 Work surface

### ADVANTAGES:

- many possible applications,
- sturdy structure,
- low weight,
- high mobility,
- a tilting wheel set with rubber threads and brakes,
- a laminated work surface and shelf for the NTools VC 50E/EP suction device,
- high capacity polishing articles bin.



APP no.	Product name	Dimensions	Dimensions with bin	Unit pack.	
170235	NTools WUS	Universal grinding cart	90 x 59 x 160 cm (194 cm)	104 x 98 x 160 cm (194 cm)	1 pc.



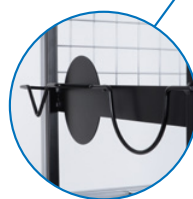
• **NTools WUS**  
Polishing materials set



Holder for hanging electric cords or a hose for the suction device (x4)



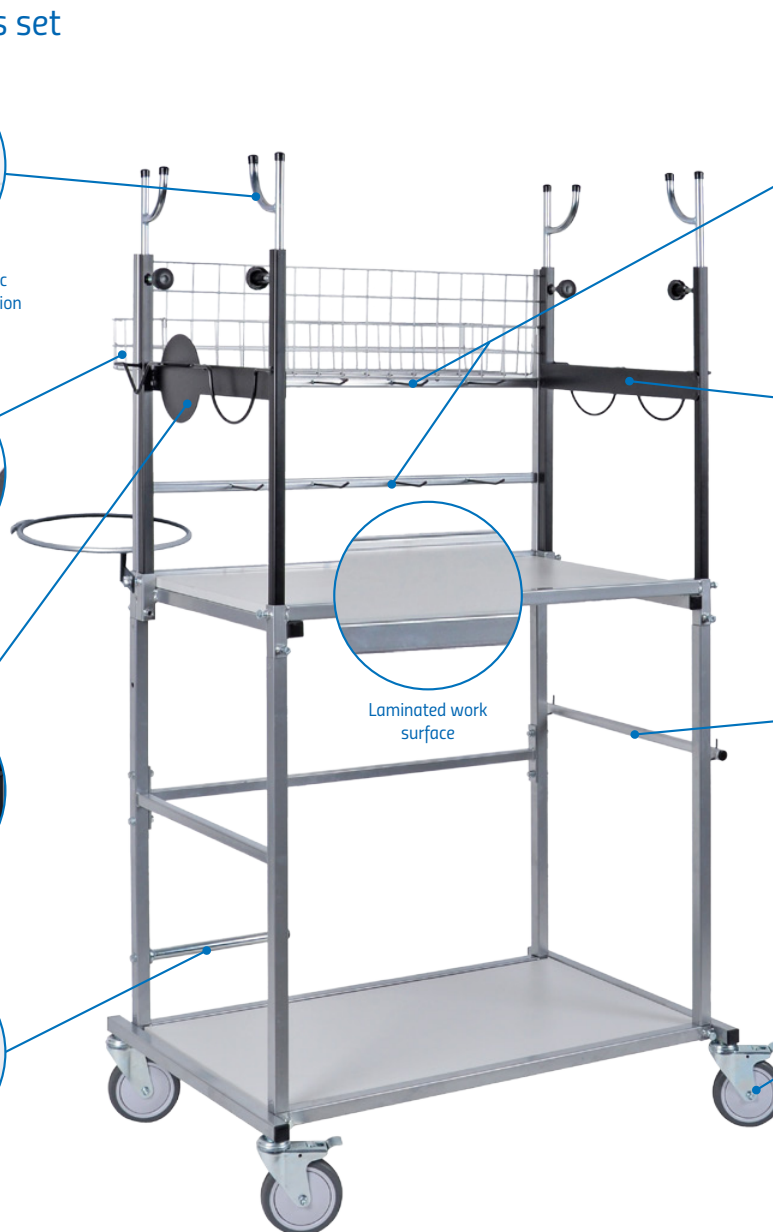
Bin for holding polishing materials



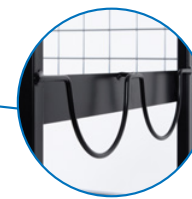
Sander and polisher holder



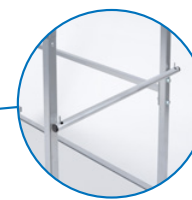
Stabilizing bar for the NTools VC 50E/EP suction device



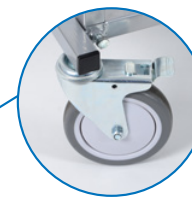
Set of 8 hooks



Holders for two sanders



Cleaning cloth holder



Transport wheels, including 2 with brakes



Laminated work surface

APP no.	Product name	Dimensions	Dimensions with bin	Unit pack.	
170235	NTools WUS	Universal grinding cart	90 x 59 x 160 cm (194 cm)	104 x 98 x 160 cm (194 cm)	1 pc.