

# NTools PANEL CART

Cart for storage of automotive panels

APP No. 170250

## NTools PANEL CART

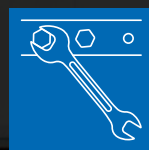
features with strong construction that allows to store automotive panels.

It is perfect to store car elements e.g.:

windows, door, bonnet, tailboard, roof lining or roof.

NTools PANEL CART is mainly purposed for use in body & paint shops, detailing and other services.

## ADVANTAGES:



EASY AND QUICK ASSEMBLY



SAVES MONEY, TIME AND SPACES



MOBILITY

*NTools PANEL CART enables storage max 5 elements at the same time.*



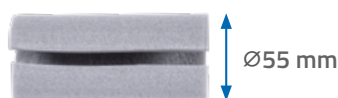
# NTools PANEL CART

Cart for storage of automotive panels

Design:

**NTools**

**1 Soft cover**



To prevent damage of stored elements profile ends are provided caps protecting against sharp edges whereas arms and cart frame are protected with soft and elastic cover.

**2 Caps protecting against sharp edges**

**3 Locking screw**

**4 Adjustable frame**  
in range 70-100cm

**5 4 rubber casters**  
Ø100mm (2 with brake)  
to ensure high mobility

**1 Soft cover**

**6 Large knobs**  
for arm position adjustment

**7 Arm six pairs**  
fixed to the frame with adjustment

Arm inclination angle adjustment range 10-25°



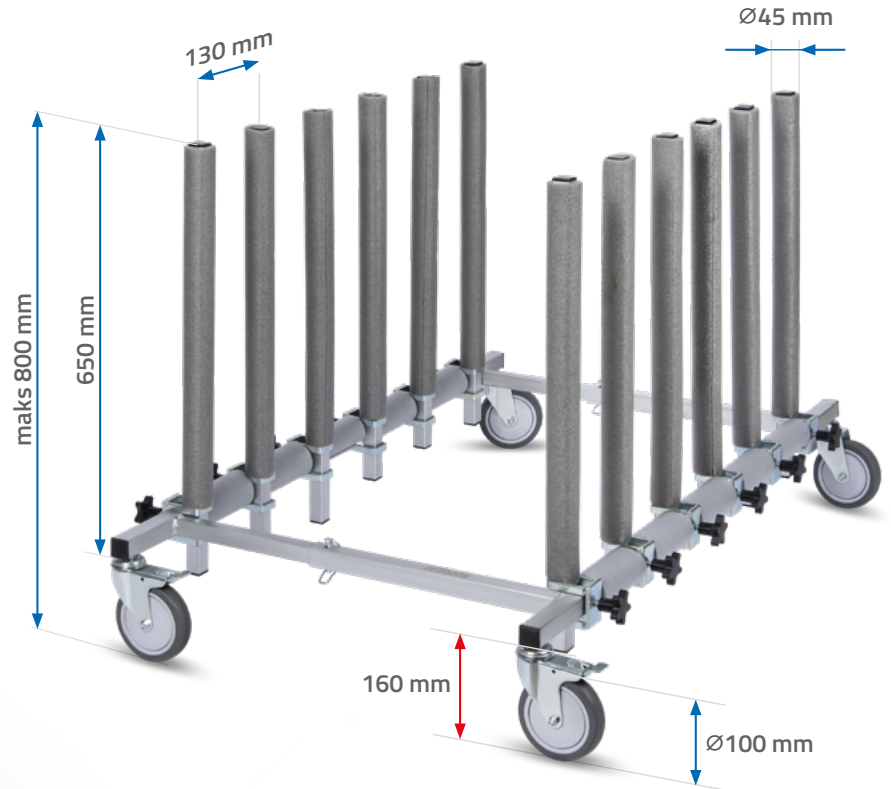
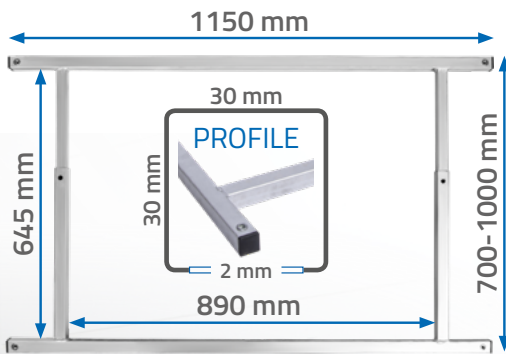
# NTools PANEL CART

Cart for storage of automotive panels

## Technical Data:



Length	1150 mm
Width	700-1000 mm
Height	800 mm
Profile	30 x 30 x 2 mm
Casters (2 with brake)	100 mm (rubberized)
Load capacity	80 kg
Mass /incl. package.	20 kg /23 kg



ADVANTAGES

**+**  
STRONG AND LIGHT  
CONSTRUCTION

**+**  
MULTI-PURPOSE

**+**  
EASY TO USE

APP No.	Product Description	Qty
170250	NTools PANEL CART - Cart for storage of automotive panels	1