



NTools

EN

• NTools Colour Check 4500 Lamp for paint control

Modern control lamp designed to identify colors, colour check after painting and for control of paint after polishing. The lamp is a necessary tool in paint shops and detailing studios where painting and polishing is performed. Thanks to the low weight and the shape of the lamp it is extremely handy.

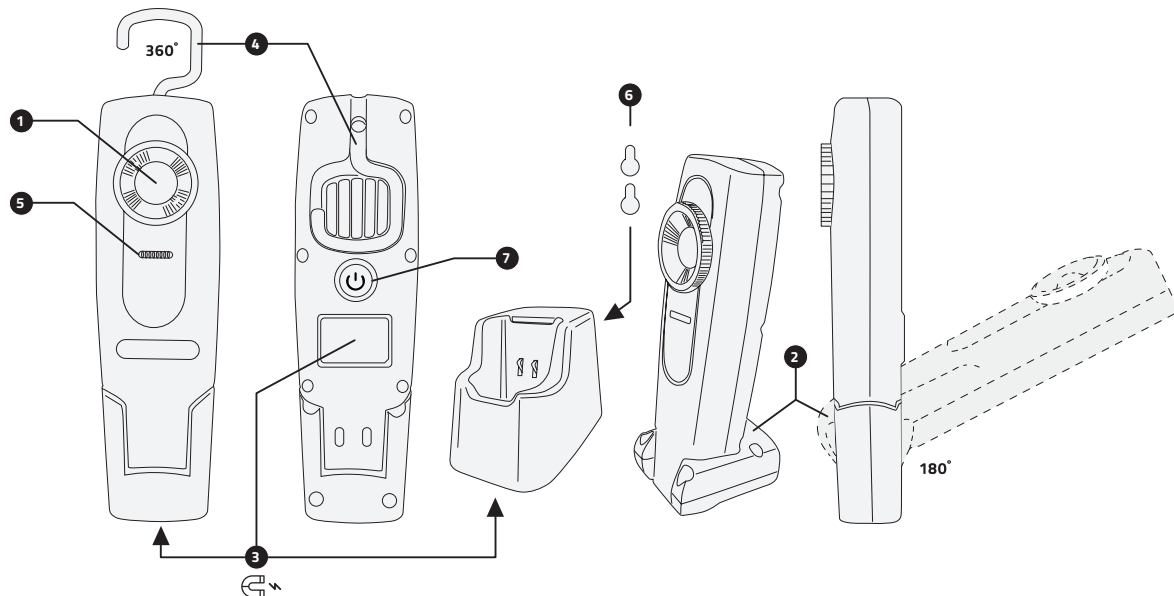
ADVANTAGES:

- handy,
- low weight,
- 2 modes of lighting,
- resistant to shocks.



NTools no.	Product name	Size	Quantity
171110	NTools Colour Check 4500 Lamp for paint control	190 x 56 x 29 mm	1 pc.

• **NTools Colour Check 4500**
Lamp for paint control



APP no. 171110

Product technical specification	
Light bulb	5W COB Led
Color rendering index	CRI > 95
Color temperature of light	4500K
Luminous flux	400 / 200lm (mode 1/mode 2)
Protection factor	IP65
Mechanical strength	IK07
Battery capacity	3.7V 2600mAh Li-ion
AC adapter	5V 1.0 A + USB cable 1.5 m
Weight	310 g
Size	190 x 56 x 29 mm

- 1 The use of modern solutions in the form of LED COB guarantee a wide-angle of light beam which enables illumination and control of a larger area.
- 2 Thanks to the specialized construction it is possible to put the lamp in a position appropriate for the user. This opportunity is ensured by a 6-stage magnetic articulated joint (adjustment range from 0 to 180) mounted in the lamp base and the additional magnet on its back wall.
- 3 Magnets make it possible to mount the lamp on any metal surface or a component of the body.
- 4 In addition to the solid structure is a hook for hanging of the lamp.
- 5 NTools Colour Check 4500 lamp has a 5-stage range of the battery charging. This indicator is placed on the front of the lamp.
- 6 The docking station has holes for mounting it on the wall and a magnet in the base, which allows for stable attachment to the surface, e.g. the tabletop of the workbench.
- 7 The lamp has a two-stage power switch of the light output.
Mode 1: The light output of the lamp is 100% - 400 lumens, working time - 2 hours with a full battery,
Mode 2: The light output of the lamp is 50% - 200 lumens, working time - 4 hours with a full battery.

NTools no.	Product name	Size	Quantity	
171110	NTools Colour Check 4500	Lamp for paint control	190 x 56 x 29 mm	1 pc.